



# Silent Sentinel ECO Arrow Board 15 or 25 Lamp Models

## USES AND ADVANTAGES

For customers who are fiscally minded, or have had problems with battery theft, we introduce the ECO, an economically friendly and eco-conscious alternative.

The ECO, available in 15 and 25 lamp configurations, is built on a rugged steel trailer with a wide footprint for enhanced stability, and has a 96" w x 48" h display panel. To provide better handling and ground clearance, the trailer includes a torsion axle.

Standard on this model is a side rail mounted control panel. Installed at eye level, it allows for easy access and programming. The ECO is powered by a combination of solar panels and fully sealed maintenance-free AGM batteries, which are concealed in the trailer frame. To enable quick and easy charging of batteries, a charging plug is included on all models.

## OPTIONAL REMOTE COMMUNICATIONS\*

With this option, the ECO will come with a GPS receiver, cellular transceiver, and **FREE lifetime cellular service\***. Use with SolarTech's Command Center software to manage and monitor your units remotely from a PC, laptop, or smartphone!

Available on models with four (4) or more batteries.



## NEW STANDARD FEATURE!

### SIDE RAIL MOUNTED CONTROLLER

Installed on side rail at eye level.

Allows for easy access and programming.

## EASY-TO-USE CONTROLLER



Arrow and warning patterns can be changed with the press of a button.

Automatic fault protection is built in.

### Control module displays:

- Battery level
- Solar charger status
- Lamp intensity



15 Lamp Models

Model	Solar Array
AB-0515	50 Watt
AB-0715	110 Watt

25 Lamp Models

Model	Solar Array
AB-0525	50 Watt
AB-0725	110 Watt



# Silent Sentinel ECO Arrow Board



## DISPLAY

Panel Size .....	96" x 48" (244 cm x 122 cm)
Panel Construction .....	All aluminum with welded frame
Panel Finish.....	Matte black baked enamel finish
Lamp Intensity .....	1,000 Candela (typical), 750 Candela (min.)
Lamp Beam Angle.....	30° horizontal x 6° vertical (minimum)
Lamp Construction.....	LED (20 per lamp) in unbreakable sealed polycarbonate housing
Lamp Shrouds .....	360° high-impact plastic
Rear Panel Indicators .....	Three (3) LED
Lamp Dimensions .....	5" (12.7 cm) diameter
Lamp Life Expectancy.....	100,000 hours (minimum), 200,000 hours (typical)

## TRAILER

Length Overall (towing).....	111" (282 cm)
Length Operating .....	122" (310 cm)
Length (excluding tongue) ...	53" (135 cm)
Width Overall .....	96" (244 cm)
Width Across Fenders.....	75" (190 cm)
Height Traveling .....	92" (234 cm)
Height Operating .....	137" (348 cm)
Ground Clearance .....	13.5" (34 cm)
Weight (approx) .....	1,200 lbs. (544 kg)
Coupler .....	2" ball (50 mm) or 2.5" (64 mm) pintle ring
Lifting Mechanism .....	1,000 lb. (454 kg) capacity (minimum) automatic brake winch and cable

## CONTROLLER

Controller Circuitry .....	Solid-state charge controller
Power consumption.....	Without lamps: < 0.5 watts With GPS & Cell: < 1.3 watt
Lamp Patterns.....	All standard 15 & 25 lamp flashing & sequential
Lamp Flash Rate.....	30 per minute
Lamp Dimming .....	Manual and automatic
Lamp Power Drivers .....	Current limited and thermal overload protected with "soft start" feature
Voltage Disconnect .....	Low disconnect at 10.70 volts, high at 15.10 volts

## ENERGY SOURCE

Operating Voltage.....	12 Volts DC (nominal)
Battery Type .....	AGM (Absorbed Glass Mat), sealed; 12V, 21 amp hours
Number of Batteries .....	Two (2), concealed in frame with Auxiliary Batteries .....
Battery Capacity.....	Four (4), six (6) or eight (8), concealed in frame Two (2) AGM batteries - 42 amp hours with Auxiliary Batteries .....
Battery Status Indicator .....	Four (4) AGM batteries - 84 amp hours Six (6) AGM batteries - 126 amp hours Eight (8) AGM batteries - 168 amp hours Displays battery voltage, charging activity and low battery condition
Solar Array Construction .....	Top-mounted solar panels in aluminum frame
Solar Array Power Output.....	50 or 110 watts - field-upgradable
Solar Charge Controller.....	Fully automatic, temperature compensated



## AVAILABLE OPTIONS

### REMOTE COMMUNICATIONS\*

Remote access and GPS tracking is available on models with four (4) or more batteries. With the GPS receiver and cellular transceiver you can:

- LOCATE your board via Command Center's maps
- SEE Battery Voltage from your desk
- SEE HISTORY of what was displayed and when

\*With this option, cellular service is provided free of charge, and is limited to carrier supported generational wireless technology.

### BATTERY UPGRADES

- Four (4) maintenance-free AGM
- Six (6) maintenance-free AGM
- Eight (8) maintenance-free AGM

### AUXILIARY BATTERY CHARGERS

- 5 amp, 120 volt AC line-powered: recharges batteries in less than 24 hours (2, 4 & 6 battery models); in less than 36 hours for 8 battery model

### OTHER OPTIONS

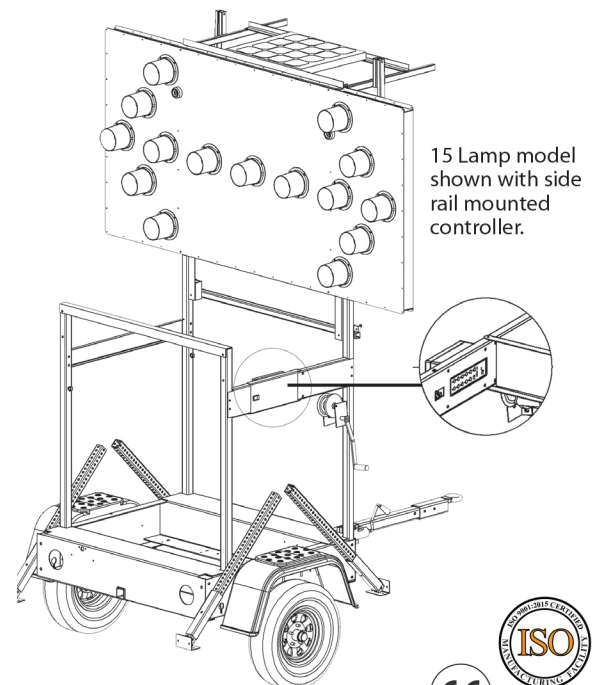
**Additional Storage:** Deck Plate

**Brakes:** Electric Brakes

Custom Colors and Ontario versions available

All models meet or exceed the standards for Flashing Arrow Panels as listed in the U.S. Federal Highway Administration (FHWA) Manual on Uniform Traffic Control Devices (MUTCD).

Unit specifications are subject to change.



**SOLAR TECHNOLOGY, INC.**  
7620 Cetronia Rd. Allentown, PA 18106  
Phone: 800-475-5442 or 610-391-8600

P/N 500-025-009 Rev. D 2022

[www.solartechnology.com](http://www.solartechnology.com)

