



Silent Responder Incident Response Trailer IRT-C

USES AND ADVANTAGES

The IRT-C, a “Cones Only” version of the Incident Response Trailer, offers a quick and efficient way to detour traffic, block lanes, and deter access to areas, while simultaneously displaying a corresponding message.

Equipped with a mid-sized message board and up to 81 cones, the sturdy steel trailer is easily transported, quick to set up, and easy to program.

The display screen measures 92” wide by 54” high, and allows you to add a message to slow traffic, reconfigure lanes or warn motorists of dangers ahead.

OPTIONAL REMOTE COMMUNICATIONS

When choosing this option, your unit will come with a GPS receiver, cellular transceiver, and **FREE lifetime cellular service***.

Use with Solar Tech’s Command Center software to track your equipment. Access units from a map or list.

Control units individually or broadcast to a group.

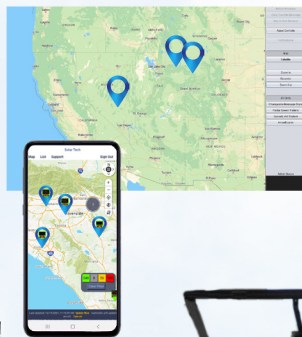
Manage your fleet from your laptop, PC or smartphone... without leaving your desk!

You can build a message library, share messages between boards, schedule messages and more.

Get automatic email notifications when a message changes, if the battery voltage is low, if a pixel fails, or the unit moves.

Keep tabs on your whole fleet.

No more misplaced equipment... fewer problems... less downtime!



EASY-TO-USE CONTROLLER

The touch-screen controller needs no manual - it’s that easy to use! Includes:

- Password protection
- Intuitive icons for ease of use
- Scheduling capability
- Fully networkable
- NTCIP version 3 compatible



IRT Incident Response Trailer CONES ONLY

DISPLAY PANEL

Panel Size	92" x 54" (234 cm x 137 cm)
Pixel Array/Size	27 x 48 pixel array with 1.77" (45 mm) pitch
Character Height	12" to 38" (30.5 cm to 96.5 cm)
Panel Construction	All aluminum, modular construction
Panel Face	3/16" polycarbonate, non-glare
Number of Fonts	Twelve (12)
Graphics Capability	Full matrix with full animation
Display Technology	LED (amber, 592 mm)
Display Brightness	>10,000 candela per square meter
Display Life Expectancy	>10 years typical
Viewing Angle	>60°

TRAILER

Length Overall (towing)	180 inches (457 cm)
Width Overall	92 inches (234 cm)
Height Traveling	103 inches (262 cm)
Height Operating	164 inches (417 cm)
Ground Clearance	13 inches (33 cm)
Weight	3,400 lbs. (1,542 kg) approximately (maximum)
Coupler (Class III)	2 inch (50 mm) or 3 inch (76 mm) pintle ring
Brake Actuator	7,500 lb. (3,402 kg) hydraulic surge
Axle/Suspension	Torq flex, independent
Lifting Mechanism	Lift & Rotate; 1000 lbs (453.6 kg) electric linear actuator
Traffic Devices	Up to eighty-one (81) cones (28" high, 10 lb.) with retro-reflective markings. There are 9 poles on the Cones Only Unit, each can hold up to 9 cones.

MEGA-TECH CONTROL CONSOLE

Console Circuitry	Ultra-low power solid state
Console Touchscreen	Weather-resistant, backlit, 10.4" full-color GUI, intuitive icon-driven, multi-lingual
Programming Software	Proprietary, field upgradable (for units not connected to Command Center)
Message Capacity	Pre-programmed and user programmed > 250 each
Time-Date Control	Real time clock/calendar (365 day)
Message Display Time	User-selectable (0.1 to 99 seconds)
Display Update Time	Instantaneous
Non-volatile Memory	16 GB Micro SD card
Password Protection	User selectable, multi-level
Operator Interface	Easy-to-use icons (no instruction manual required)

ENERGY SOURCE

Operating Voltage	12 volts DC (nominal)
Battery Type	6 volt heavy duty, deep cycle (GC-2)
Number of Batteries	Four (4) standard lead acid (flooded)
Battery Bank Capacity	520 amp hours
Battery Status Indicator	Displays battery voltage, charging activity and low battery condition
Solar Construction	Top-mounted solar panels in aluminum frame
Solar Power Output	Standard 160 watt (nominal)
Solar Charge Controller	Automatic, temperature compensated, MPPT (Maximum Power Point Tracking)



Custom colors available.

OPTIONS AND UPGRADES

REMOTE COMMUNICATIONS

Includes GPS receiver, cellular transceiver, and FREE lifetime cellular service*. Remotely access and track your Incident Response Trailer. *With this option, cellular service is provided free of charge, and is limited to carrier supported generational wireless technology.

SOLAR ARRAY OPTIONS

• 220 watt • 330 watt

BATTERY UPGRADES

Four (4) maintenance-free Gel-Cell or AGM - 520 amp/hour capacity

BATTERY CHARGER UPGRADES

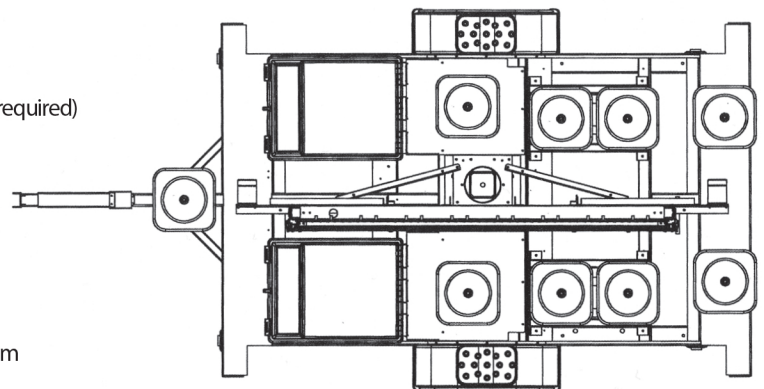
• 45 amp, 120 volt AC • 55 amp, 120 volt AC
• 90 amp, 120 volt AC

SECURITY OPTION

• Anti-theft steel battery frame bolted to trailer
• Vandal-Proof Battery Box reinforced steel cage

RADAR OPTIONS

Directional doppler K-Band, user-configured KPH or MPH
Data collection and statistical analysis package included.



Top view showing cone holder and battery box placement.



SOLAR TECHNOLOGY, INC.
7620 Cetronia Rd. Allentown, PA 18106
Phone: 800-475-5442 or 610-391-8600

P/N 500-024-881 Rev B 2022

www.solartechology.com



Made in the USA