



As Reliable as the Sun

USES AND ADVANTAGES

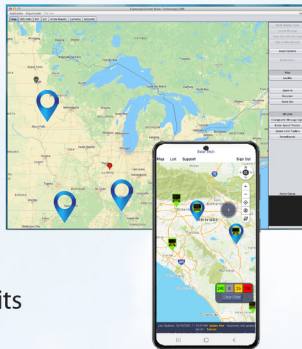
The "Silent Messenger" Double-Sided Message Board is ideal for directing traffic from two different directions.

Model MB-122-3048 has two mid-sized sign panels on a lift and rotate mast. The sign panels can be angled from parallel to 45 degrees. The sign is powered by a combination of solar panels and batteries for reliable performance.

OPTIONAL REMOTE COMMUNICATIONS

When choosing this option, your Double-Sided Message Board will come with a GPS receiver, a cellular transceiver, and **FREE lifetime cellular service***.

Use with SolarTech's Command Center software to track your equipment. Manage your fleet from your laptop, PC or smartphone... without leaving your desk!



Access units from a map or list. Control units individually or broadcast to a group.

You can build a message library, share messages between boards, schedule messages, and more.

Get automatic email notifications when a message changes, if the battery voltage is low, if a panel or module fails, or the unit moves.

Keep tabs on your whole fleet. No more misplaced equipment... fewer problems... less downtime!

Silent Messenger Double-Sided Message Board



EASY-TO-USE CONTROLLER

The touch-screen controller needs no manual - it's that easy to use! Includes:

- Password protection
- Intuitive icons for ease of use
- Scheduling capability
- Fully networkable
- NTCIP version 3 compatible



**MB-122-3048
Lift and Rotate**

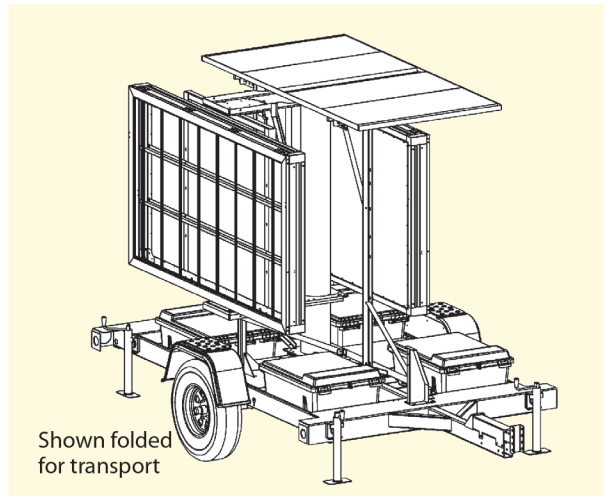
Silent Messenger Double-Sided Message Board

DISPLAY PANEL	MB-122-3048 Lift & Rotate
Panel Size	92" x 54"
Panel Construction	All aluminum, modular construction
Matrix Size	27 x 48 pixels
Pixel Pitch	1.77" (45 mm) or 1.5" (38 mm)
Characters per Line	Up to twelve (12)
Character Height	12" to 38" (30.5 cm to 97 cm)
Graphics Capability	Full matrix with full animation
Display Technology	LED (amber, 592 nm)
Display Brightness	>10,000 cd/m2 (candela per sq. meter)
Display Life Expectancy	10 years
Lifting Mechanism	2,000 lb. capacity electro-hydraulic
Sign Panel Rotation	> 360 degrees (mast rotation); Auxiliary sign panel rotates independently of main sign panel up to 45° either side

TRAILER	MB-122-3048 L&R
Length Overall	180" (457 cm)
Width Overall	92" (234 cm)
Height Traveling	103" (262 cm)
Height Operating	164" (417 cm)
Ground Clearance	13" (33 cm)
Weight	3,100 lbs (max) (1,407 kg) approx.
Coupler (Class II2)	2" (50 mm) ball or 3" (76 mm) pintle ring
Brake Actuator	7,500 lb. hydraulic surge
Axle/Suspension	Torq flex, independent

ENERGY SOURCE	MB-122-3048 L&R
Operating Voltage	12 volts DC (nominal)
Battery Type	6 volt heavy duty, deep cycle (GC-2)
Number of Batteries	Twelve (12) lead acid (flooded)
Battery Bank Capacity	1,560 amp hours
Battery Status Indicator	Displays battery voltage, charging activity, and low battery condition
Solar Array Construction	Top mounted solar panels in aluminum frame
Solar Array Power Output	330 watts (nominal)
Solar Charge Controller	Automatic, temperature compensated

MEGA-TECH CONTROL CONSOLE	
Console Circuitry	Ultra-low-power solid state
Console Touchscreen	Weather-resistant, backlit, full color GUI, intuitive icon-driven, multi-lingual
Programming Software	Proprietary, field upgradable (for units not connected to Command Center)
Message Capacity	Pre-programmed and user programmed - greater than 250 each
Time/Date Control	Real time clock/calendar (365 day)
Message Display Time	User-selectable (0.1 to 99 seconds)
Display Update Time	Instantaneous
Non-Volatile Memory	16 GB Micro SD card
Password Protection	User-selectable, multi-level
Operator Interface	Easy-to-use icons - no instruction manual needed



Shown folded for transport

OPTIONS AND UPGRADES

SIGN PANEL SIZE

Additional sign panel sizes available upon request. Please contact SolarTech for more information.

REMOTE COMMUNICATIONS

Includes a GPS receiver, cellular transceiver, and FREE lifetime cellular service. Remotely access and track your Double-Sided Message Board.

*With this option, cellular service is provided free of charge, and is limited to carrier supported generational wireless technology.

SECOND CONTROLLER

Enables independent local and remote control of each sign.

SOLAR ARRAY UPGRADES

- 440 watt • 550 watt • 660 watt

BATTERY UPGRADES

Twelve (12) maintenance-free (Gel-Cell or AGM) - 1,560 AH capacity

BATTERY CHARGER OPTIONS

- 45 amp, 120 volt AC • 55 amp, 120 volt AC
- 90 amp, 120 volt AC

BRAKES

- Electric Brakes

SECURITY OPTION

- Anti-theft steel battery frame bolted to trailer
- Vandal-Proof Battery Box reinforced steel cage

RADAR OPTIONS

- Directional doppler K-Band. User-configurable KPH or MPH. Data Collection and Statistical Analysis Package included.



SOLAR TECHNOLOGY, INC.
7620 Cetronia Rd. Allentown, PA 18106
Phone: 800-475-5442 or 610-391-8600



www.solartechology.com

Made in the USA